

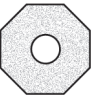
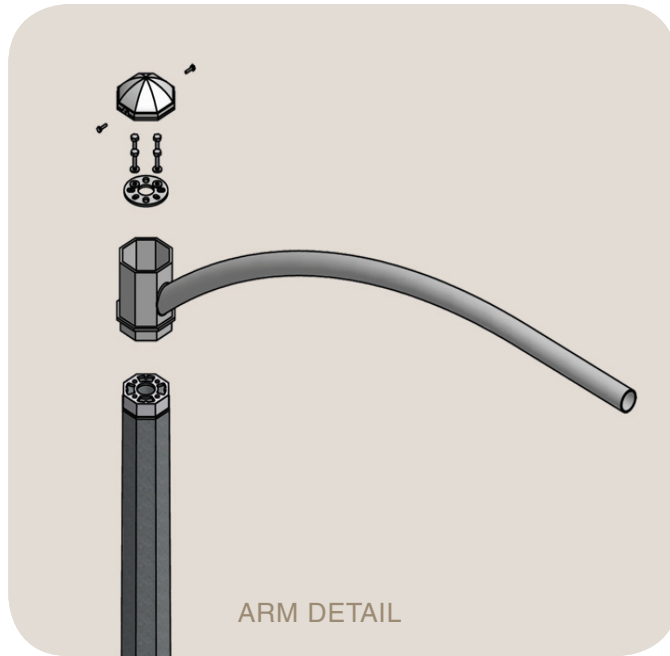
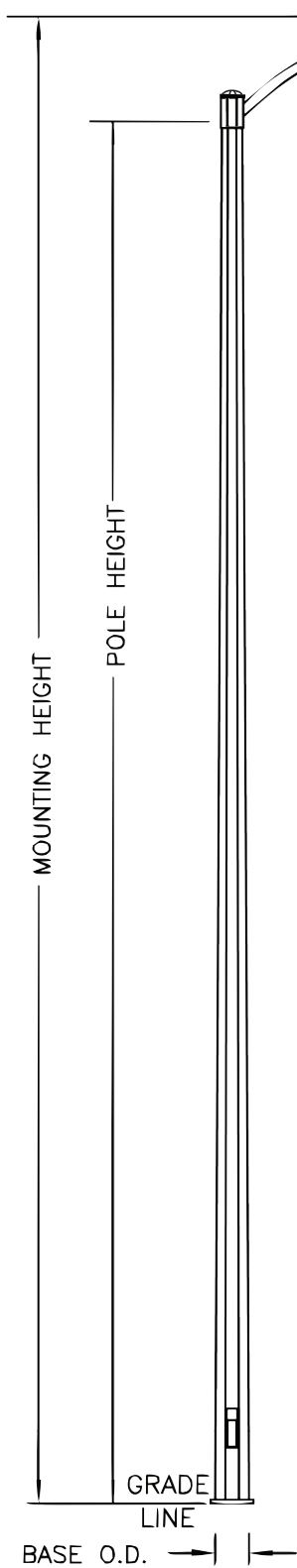


Centrecon Series

MBO Pole with MOAP Single Arm

Medium Base Plate Octagonal Pole with Aluminum Pipe Arm

BASE PLATE STYLE OCTAGONAL POLES



SPECIFICATIONS

Use Centrecon Specifications.

COLORS & FINISHES

See Color Selection Guide.

ANTI-GRAFFITI & SEALER

Optional Coatings available for added protection.

Manufacturer reserves the right to alter the product design without prior notice. Consult Ameron or authorized representative for additional information.



MBO Pole with MOAP Single Arm Combinations

Pole & Arm Configuration Includes Finish Code	Mounting Height	Pole Height	Base OD	Bolt Circle	Base Plate (SQ.)	Arm Length	Max. 50 lb. Luminaire EPA at 90 mph.	Pole Weight
MBO03*113A-MOAP4UN	11'-7"	9'-10"	6-7/16"	11-1/2"	11"	4'	5.4 sq. ft.	250 lbs.
MBO03*113A-MOAP6UN	12'-1"	9'-10"	6-7/16"	11-1/2"	11"	6'	3.3 sq. ft.	250 lbs.
MBO03*113A-MOAP8UN	12'-7"	9'-10"	6-7/16"	11-1/2"	11"	8'	2.2 sq. ft.	250 lbs.
MBO04.3*113A-MOAP4UN	15'-10"	14'-1"	6-13/16"	11-1/2"	11"	4'	5.4 sq. ft.	400 lbs.
MBO04.3*113A-MOAP6UN	16'-4"	14'-1"	6-13/16"	11-1/2"	11"	6'	3.3 sq. ft.	400 lbs.
MBO04.3*113A-MOAP8UN	16'-10"	14'-1"	6-13/16"	11-1/2"	11"	8'	2.2 sq. ft.	400 lbs.
MBO06*113A-MOAP4UN	21'-5"	19'-8"	7-1/2"	11-1/2"	11"	4'	5.4 sq. ft.	600 lbs.
MBO06*113A-MOAP6UN	21'-11"	19'-8"	7-1/2"	11-1/2"	11"	6'	3.3 sq. ft.	600 lbs.
MBO06*113A-MOAP8UN	22'-5"	19'-8"	7-1/2"	11-1/2"	11"	8'	2.2 sq. ft.	600 lbs.
MBO07*113A-MOAP4UN	24'-9"	23'-0"	7-7/8"	11-1/2"	11"	4'	5.4 sq. ft.	740 lbs.
MBO07*113A-MOAP6UN	25'-3"	23'-0"	7-7/8"	11-1/2"	11"	6'	3.3 sq. ft.	740 lbs.
MBO07*113A-MOAP8UN	25'-9"	23'-0"	7-7/8"	11-1/2"	11"	8'	2.2 sq. ft.	740 lbs.
MBO07.5*113A-MOAP4UN	26'-4"	24'-7"	8-1/16"	11-1/2"	11"	4'	5.4 sq. ft.	790 lbs.
MBO07.5*113A-MOAP6UN	26'-10"	24'-7"	8-1/16"	11-1/2"	11"	6'	3.3 sq. ft.	790 lbs.
MBO07.5*113A-MOAP8UN	27'-4"	24'-7"	8-1/16"	11-1/2"	11"	8'	2.2 sq. ft.	790 lbs.
MBO08*113A-MOAP4UN	28'-0"	26'-3"	8-1/4"	11-1/2"	11"	4'	5.4 sq. ft.	900 lbs.
MBO08*113A-MOAP6UN	28'-6"	26'-3"	8-1/4"	11-1/2"	11"	6'	3.3 sq. ft.	900 lbs.
MBO08*113A-MOAP8UN	29'-0"	26'-3"	8-1/4"	11-1/2"	11"	8'	2.2 sq. ft.	900 lbs.
MBO08.5*113A-MOAP4UN	29'-8"	27'-11"	8-7/16"	11-1/2"	11"	4'	5.4 sq. ft.	960 lbs.
MBO08.5*113A-MOAP6UN	30'-2"	27'-11"	8-7/16"	11-1/2"	11"	6'	3.3 sq. ft.	960 lbs.
MBO08.5*113A-MOAP8UN	30'-8"	27'-11"	8-7/16"	11-1/2"	11"	8'	2.2 sq. ft.	960 lbs.
MBO09*113A-MOAP4UN	31'-3"	29'-6"	8-5/8"	11-1/2"	11"	4'	5.4 sq. ft.	1,000 lbs.
MBO09*113A-MOAP6UN	31'-9"	29'-6"	8-5/8"	11-1/2"	11"	6'	3.3 sq. ft.	1,000 lbs.
MBO09*113A-MOAP8UN	32'-3"	29'-6"	8-5/8"	11-1/2"	11"	8'	2.2 sq. ft.	1,000 lbs.
MBOX09.5*113A-MOAP4UN	32'-11"	31'-2"	8-7/8"	11-1/2"	11"	4'	5.2 sq. ft.	1,100 lbs.
MBOX09.5*113A-MOAP6UN	33'-5"	31'-2"	8-7/8"	11-1/2"	11"	6'	3.1 sq. ft.	1,100 lbs.
MBOX09.5*113A-MOAP8UN	33'-11"	31'-2"	8-7/8"	11-1/2"	11"	8'	2.1 sq. ft.	1,100 lbs.
MBOX10*113A-MOAP4UN	34'-7"	32'-10"	9-1/16"	11-1/2"	11"	4'	5.2 sq. ft.	1,300 lbs.
MBOX10*113A-MOAP6UN	35'-1"	32'-10"	9-1/16"	11-1/2"	11"	6'	3.1 sq. ft.	1,300 lbs.
MBOX10*113A-MOAP8UN	35'-7"	32'-10"	9-1/16"	11-1/2"	11"	8'	2.1 sq. ft.	1,300 lbs.
MBOX10.6*113A-MOAP4UN	36'-6"	34'-9"	9-5/16"	14"	13"	4'	5.2 sq. ft.	1,375 lbs.
MBOX10.6*113A-MOAP6UN	37'-0"	34'-9"	9-5/16"	14"	13"	6'	3.1 sq. ft.	1,375 lbs.
MBOX10.6*113A-MOAP8UN	37'-6"	34'-9"	9-5/16"	14"	13"	8'	2.1 sq. ft.	1,375 lbs.
MBOX11.7*113A-MOAP4UN	40'-2"	38'-5"	9-3/4"	14"	13"	4'	5.0 sq. ft.	1,600 lbs.
MBOX11.7*113A-MOAP6UN	40'-8"	38'-5"	9-3/4"	14"	13"	6'	3.0 sq. ft.	1,600 lbs.
MBOX11.7*113A-MOAP8UN	41'-2"	38'-5"	9-3/4"	14"	13"	8'	2.0 sq. ft.	1,600 lbs.

Standard Anchor Bolts: 1" x 36" x 4" (Purchase Separately)

Pole & Arm Designator Layout

