

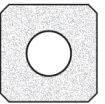
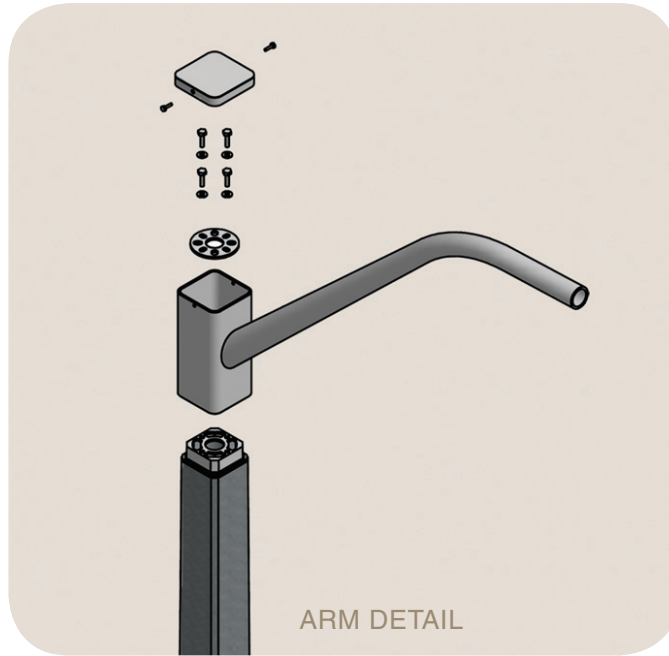
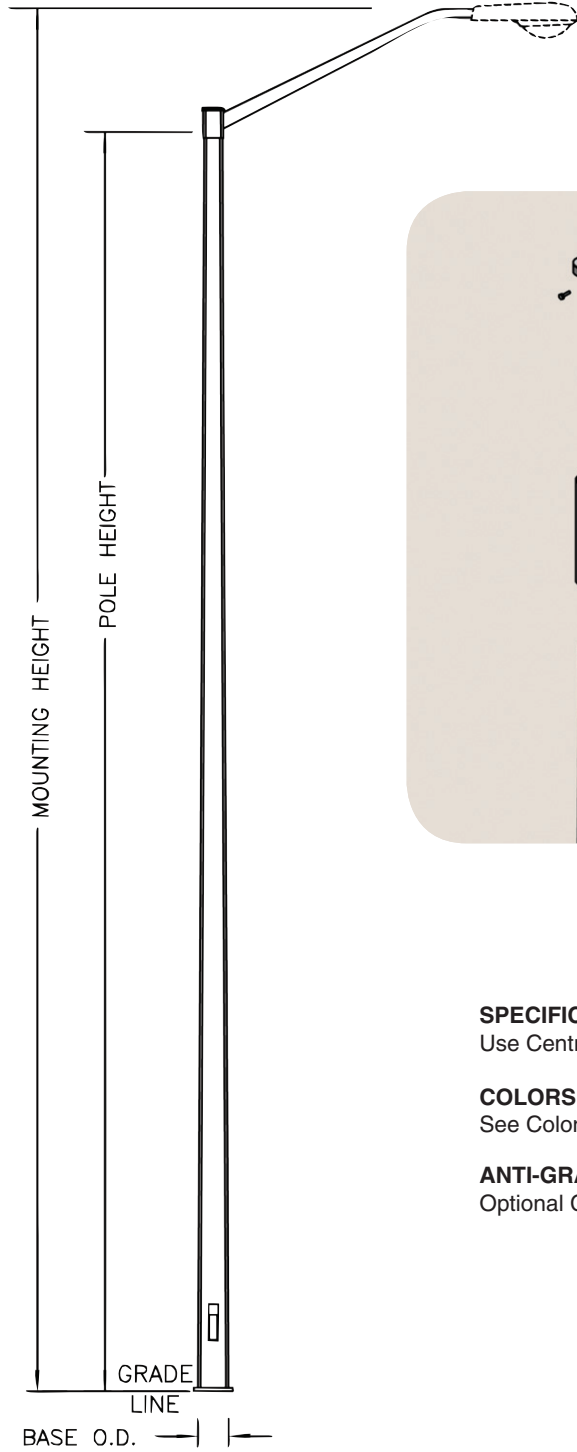


Centrecon Series

MBQ Pole with MAE Single Arm

Medium Base Plate Square Pole with Aluminum Elliptical Arm

BASE PLATE STYLE SQUARE POLES



SPECIFICATIONS

Use Centrecon Specifications.

COLORS & FINISHES

See Color Selection Guide.

ANTI-GRAFFITI & SEALER

Optional Coatings available for added protection.

Manufacturer reserves the right to alter the product design without prior notice. Consult Ameron or authorized representative for additional information.



MBQ Pole with MAE Single Arm Combinations

Pole & Arm Configuration Includes Finish Code	Mounting Height	Pole Height	Base OD	Bolt Circle	Base Plate (SQ.)	Arm Length	Max. 50 lb. Luminaire EPA at 90 mph.	Pole Weight
MBQ07*113A-MAE4UN	25'-11"	23'-0"	7-7/8"	13"	12"	4'	6.3 sq. ft.	1,000 lbs.
MBQ07*113A-MAE6UN	25'-11"	23'-0"	7-7/8"	13"	12"	6'	4.0 sq. ft.	1,000 lbs.
MBQ07*113A-MAE8UN	25'-11"	23'-0"	7-7/8"	13"	12"	8'	2.4 sq. ft.	1,000 lbs.
MBQ07.5*113A-MAE4UN	27'-6"	24'-7"	8-1/16"	13"	12"	4'	6.3 sq. ft.	1,120 lbs.
MBQ07.5*113A-MAE6UN	27'-6"	24'-7"	8-1/16"	13"	12"	6'	4.0 sq. ft.	1,120 lbs.
MBQ07.5*113A-MAE8UN	27'-6"	24'-7"	8-1/16"	13"	12"	8'	2.4 sq. ft.	1,120 lbs.
MBQ08.5*113A-MAE4UN	30'-10"	27'-11"	8-7/16"	14"	13"	4'	6.1 sq. ft.	1,330 lbs.
MBQ08.5*113A-MAE6UN	30'-10"	27'-11"	8-7/16"	14"	13"	6'	3.8 sq. ft.	1,330 lbs.
MBQ08.5*113A-MAE8UN	30'-10"	27'-11"	8-7/16"	14"	13"	8'	2.3 sq. ft.	1,330 lbs.
MBQ09*113A-MAE4UN	32'-5"	29'-6"	8-5/8"	15"	14"	4'	6.1 sq. ft.	1,450 lbs.
MBQ09*113A-MAE6UN	32'-5"	29'-6"	8-5/8"	15"	14"	6'	3.8 sq. ft.	1,450 lbs.
MBQ09*113A-MAE8UN	32'-5"	29'-6"	8-5/8"	15"	14"	8'	2.3 sq. ft.	1,450 lbs.
MBQX10*113A-MAE4UN	35'-9"	32'-10"	9-1/16"	15-1/2"	14"	4'	6.1 sq. ft.	1,670 lbs.
MBQX10*113A-MAE6UN	35'-9"	32'-10"	9-1/16"	15-1/2"	14"	6'	3.8 sq. ft.	1,670 lbs.
MBQX10*113A-MAE8UN	35'-9"	32'-10"	9-1/16"	15-1/2"	14"	8'	2.3 sq. ft.	1,670 lbs.
MBQX11*113A-MAE4UN	39'-0"	36'-1"	9-7/16"	15-1/2"	14"	4'	6.1 sq. ft.	1,880 lbs.
MBQX11*113A-MAE6UN	39'-0"	36'-1"	9-7/16"	15-1/2"	14"	6'	3.8 sq. ft.	1,880 lbs.
MBQX11*113A-MAE8UN	39'-0"	36'-1"	9-7/16"	15-1/2"	14"	8'	2.1 sq. ft.	1,880 lbs.
MBQX12.2*113A-MAE4UN	42'-11"	40'-0"	9-15/16"	16-1/2"	15"	4'	6.0 sq. ft.	2,150 lbs.
MBQX12.2*113A-MAE6UN	42'-11"	40'-0"	9-15/16"	16-1/2"	15"	6'	3.6 sq. ft.	2,150 lbs.
MBQX12.2*113A-MAE8UN	42'-11"	40'-0"	9-15/16"	16-1/2"	15"	8'	2.0 sq. ft.	2,150 lbs.

Standard Anchor Bolts: 1" x 36" x 4" (Purchase Separately)

Pole & Arm Designator Layout

