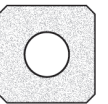
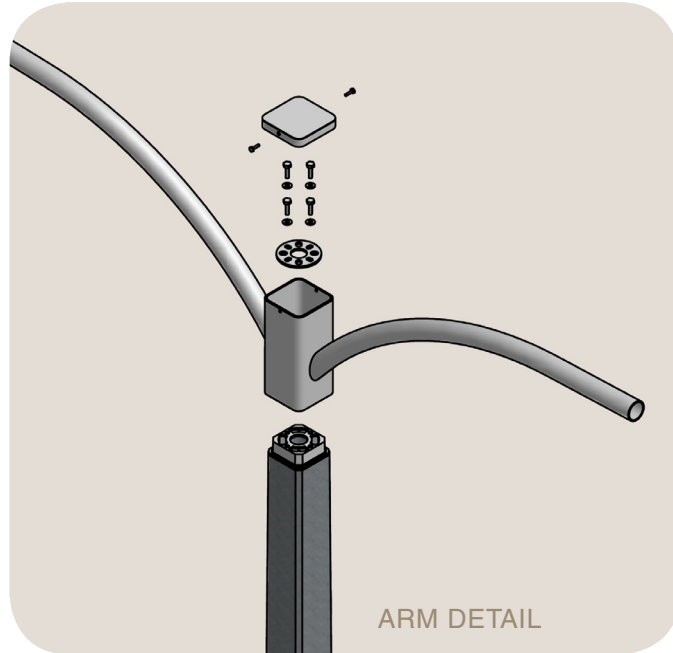
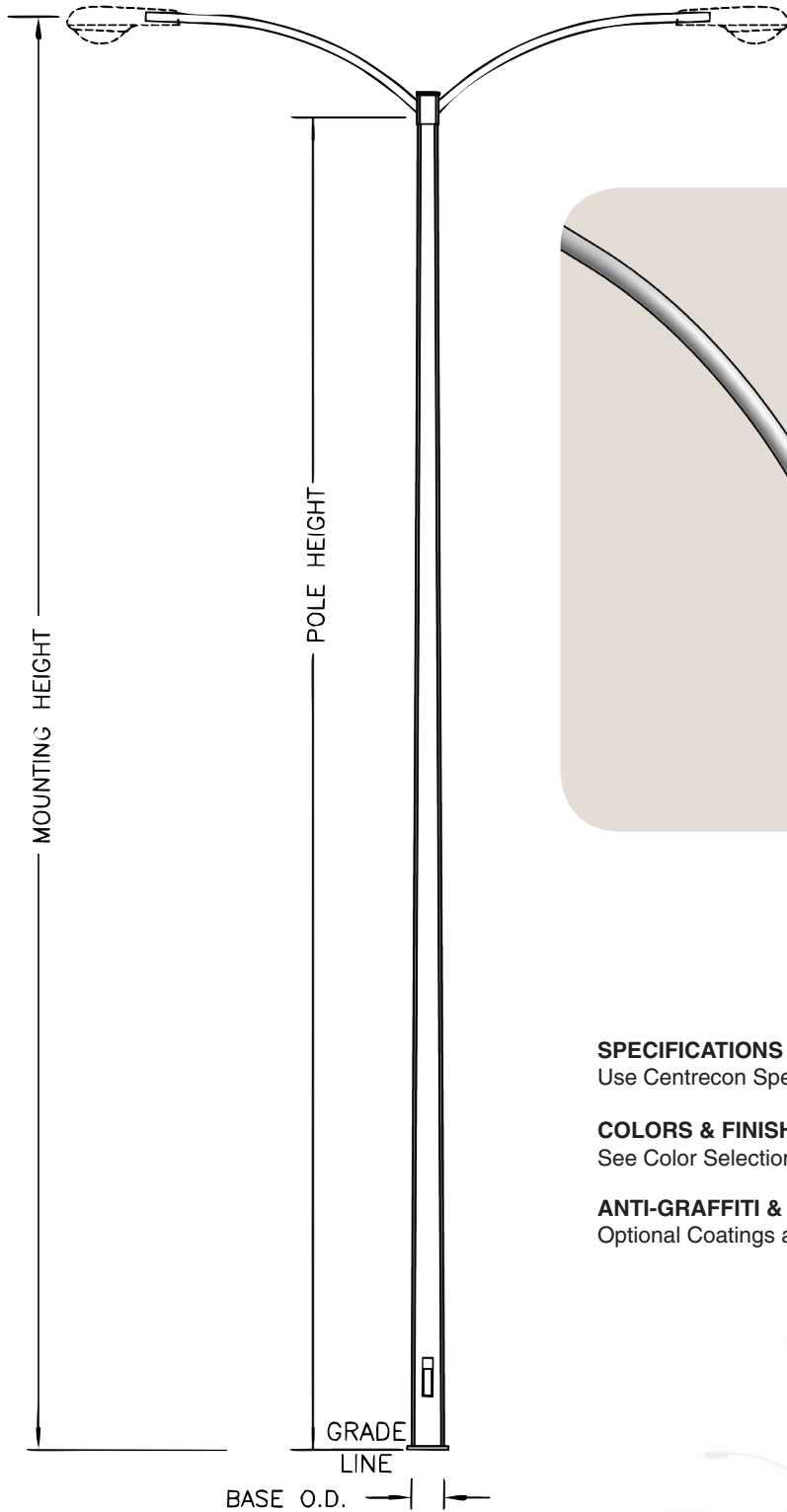




Centrecon Series
MBQ Pole with MAP Double Arm
Medium Base Plate Square Pole with Aluminum Pipe Arm



SPECIFICATIONS

Use Centrecon Specifications.

COLORS & FINISHES

See Color Selection Guide.

ANTI-GRAFFITI & SEALER

Optional Coatings available for added protection.



MBQ Pole with MAP Double Arm Combinations

Pole & Arm Configuration Includes Finish Code	Mounting Height	Pole Height	Base OD	Bolt Circle	Base Plate (SQ.)	Arm Length	Max. 50 lb. Luminaire EPA at 90 mph.	Pole Weight
MBQ07*113A-MAP4DUN	24'-9"	23'-0"	7-7/8"	13"	12"	4'	5.4 sq. ft.	1,000 lbs.
MBQ07*113A-MAP6DUN	25'-3"	23'-0"	7-7/8"	13"	12"	6'	3.3 sq. ft.	1,000 lbs.
MBQ07*113A-MAP8DUN	25'-9"	23'-0"	7-7/8"	13"	12"	8'	2.2 sq. ft.	1,000 lbs.
MBQ07.5*113A-MAP4DUN	26'-4"	24'-7"	8-1/16"	13"	12"	4'	5.4 sq. ft.	1,120 lbs.
MBQ07.5*113A-MAP6DUN	26'-10"	24'-7"	8-1/16"	13"	12"	6'	3.3 sq. ft.	1,120 lbs.
MBQ07.5*113A-MAP8DUN	27'-4"	24'-7"	8-1/16"	13"	12"	8'	2.2 sq. ft.	1,120 lbs.
MBQ08.5*113A-MAP4DUN	29'-8"	27'-11"	8-7/16"	14"	13"	4'	5.4 sq. ft.	1,330 lbs.
MBQ08.5*113A-MAP6DUN	30'-2"	27'-11"	8-7/16"	14"	13"	6'	3.3 sq. ft.	1,330 lbs.
MBQ08.5*113A-MAP8DUN	30'-8"	27'-11"	8-7/16"	14"	13"	8'	2.2 sq. ft.	1,330 lbs.
MBQ09*113A-MAP4DUN	31'-3"	29'-6"	8-5/8"	15"	14"	4'	5.4 sq. ft.	1,450 lbs.
MBQ09*113A-MAP6DUN	31'-9"	29'-6"	8-5/8"	15"	14"	6'	3.3 sq. ft.	1,450 lbs.
MBQ09*113A-MAP8DUN	32'-3"	29'-6"	8-5/8"	15"	14"	8'	2.2 sq. ft.	1,450 lbs.
MBQX10*113A-MAP4DUN	34'-7"	32'-10"	9-1/16"	15-1/2"	14"	4'	5.2 sq. ft.	1,670 lbs.
MBQX10*113A-MAP6DUN	35'-1"	32'-10"	9-1/16"	15-1/2"	14"	6'	3.1 sq. ft.	1,670 lbs.
MBQX10*113A-MAP8DUN	35'-7"	32'-10"	9-1/16"	15-1/2"	14"	8'	2.1 sq. ft.	1,670 lbs.
MBQX11*113A-MAP4DUN	37'-10"	36'-1"	9-7/16"	15-1/2"	14"	4'	5.2 sq. ft.	1,880 lbs.
MBQX11*113A-MAP6DUN	38'-4"	36'-1"	9-7/16"	15-1/2"	14"	6'	3.1 sq. ft.	1,880 lbs.
MBQX11*113A-MAP8DUN	38'-10"	36'-1"	9-7/16"	15-1/2"	14"	8'	2.1 sq. ft.	1,880 lbs.
MBQX12.2*113A-MAP4DUN	41'-9"	40'-0"	9-15/16"	16-1/2"	15"	4'	5.1 sq. ft.	2,150 lbs.
MBQX12.2*113A-MAP6DUN	42'-3"	40'-0"	9-15/16"	16-1/2"	15"	6'	3.0 sq. ft.	2,150 lbs.
MBQX12.2*113A-MAP8DUN	42'-9"	40'-0"	9-15/16"	16-1/2"	15"	8'	2.0 sq. ft.	2,150 lbs.

Standard Anchor Bolts: 1" x 36" x 4" (Purchase Separately)

Pole & Arm Designator Layout

