

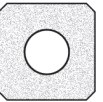
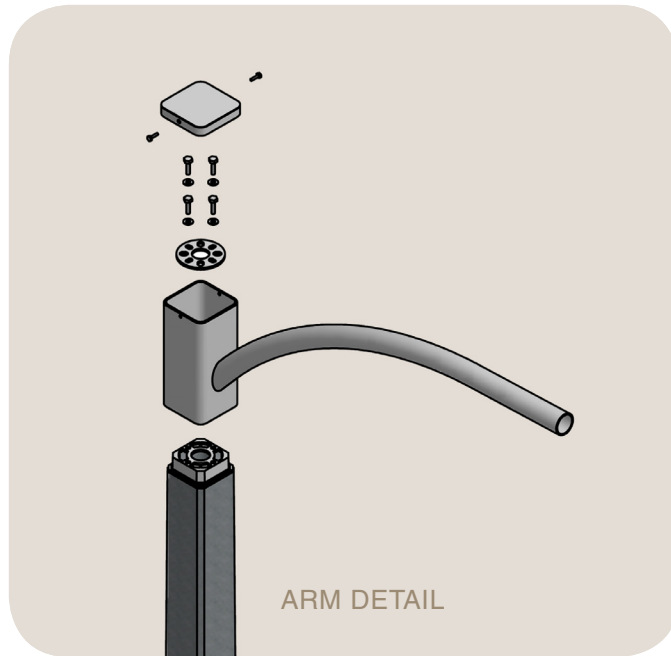
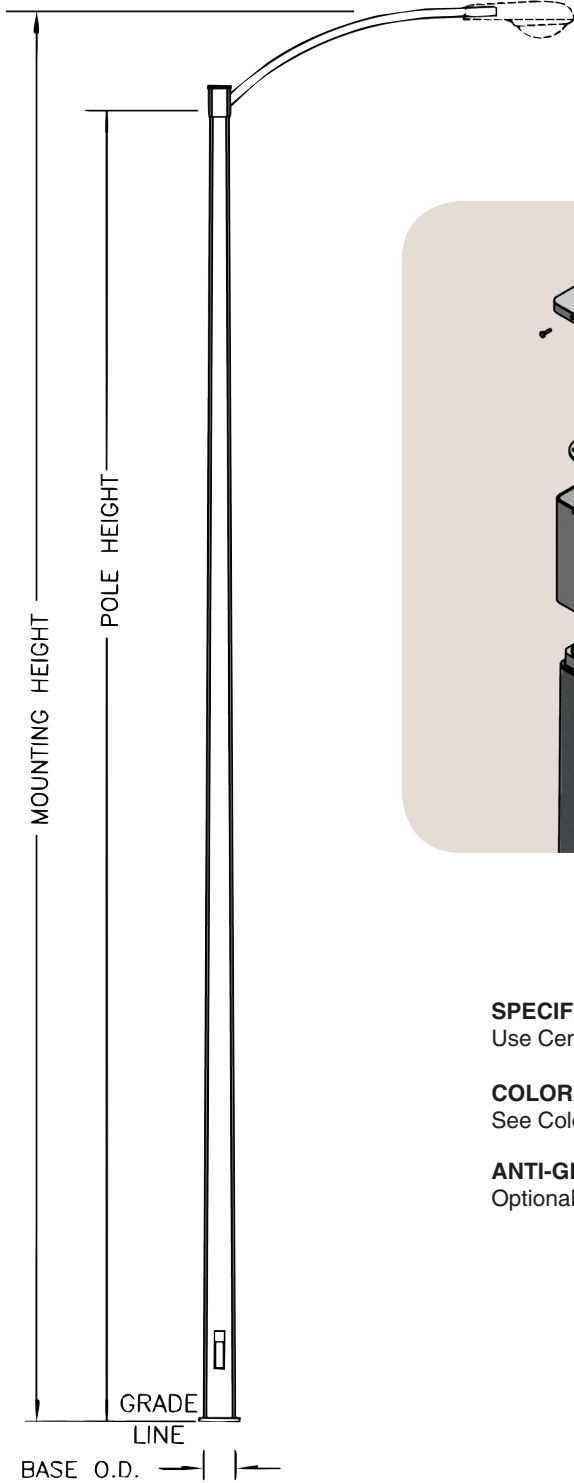


Centrecon Series

MBQ Pole with MAP Single Arm

Medium Base Plate Square Pole with Aluminum Pipe Arm

BASE PLATE STYLE SQUARE POLES



SPECIFICATIONS

Use Centrecon Specifications.

COLORS & FINISHES

See Color Selection Guide.

ANTI-GRAFFITI & SEALER

Optional Coatings available for added protection.

Manufacturer reserves the right to alter the product design without prior notice. Consult Ameron or authorized representative for additional information.



MBQ Pole with MAP Single Arm Combinations

Pole & Arm Configuration Includes Finish Code	Mounting Height	Pole Height	Base OD	Bolt Circle	Base Plate (SQ.)	Arm Length	Max. 50 lb. Luminaire EPA at 90 mph.	Pole Weight
MBQ07*113A-MAP4UN	24'-9"	23'-0"	7-7/8"	13"	12"	4'	5.4 sq. ft.	1,000 lbs.
MBQ07*113A-MAP6UN	25'-3"	23'-0"	7-7/8"	13"	12"	6'	3.3 sq. ft.	1,000 lbs.
MBQ07*113A-MAP8UN	25'-9"	23'-0"	7-7/8"	13"	12"	8'	2.2 sq. ft.	1,000 lbs.
MBQ07.5*113A-MAP4UN	26'-4"	24'-7"	8-1/16"	13"	12"	4'	5.4 sq. ft.	1,120 lbs.
MBQ07.5*113A-MAP6UN	26'-10"	24'-7"	8-1/16"	13"	12"	6'	3.3 sq. ft.	1,120 lbs.
MBQ07.5*113A-MAP8UN	27'-4"	24'-7"	8-1/16"	13"	12"	8'	2.2 sq. ft.	1,120 lbs.
MBQ08.5*113A-MAP4UN	29'-8"	27'-11"	8-7/16"	14"	13"	4'	5.4 sq. ft.	1,330 lbs.
MBQ08.5*113A-MAP6UN	30'-2"	27'-11"	8-7/16"	14"	13"	6'	3.3 sq. ft.	1,330 lbs.
MBQ08.5*113A-MAP8UN	30'-8"	27'-11"	8-7/16"	14"	13"	8'	2.2 sq. ft.	1,330 lbs.
MBQ09*113A-MAP4UN	31'-3"	29'-6"	8-5/8"	15"	14"	4'	5.4 sq. ft.	1,450 lbs.
MBQ09*113A-MAP6UN	31'-9"	29'-6"	8-5/8"	15"	14"	6'	3.3 sq. ft.	1,450 lbs.
MBQ09*113A-MAP8UN	32'-3"	29'-6"	8-5/8"	15"	14"	8'	2.2 sq. ft.	1,450 lbs.
MBQX10*113A-MAP4UN	34'-7"	32'-10"	9-1/16"	15-1/2"	14"	4'	5.2 sq. ft.	1,670 lbs.
MBQX10*113A-MAP6UN	35'-1"	32'-10"	9-1/16"	15-1/2"	14"	6'	3.1 sq. ft.	1,670 lbs.
MBQX10*113A-MAP8UN	35'-7"	32'-10"	9-1/16"	15-1/2"	14"	8'	2.1 sq. ft.	1,670 lbs.
MBQX11*113A-MAP4UN	37'-10"	36'-1"	9-7/16"	15-1/2"	14"	4'	5.2 sq. ft.	1,880 lbs.
MBQX11*113A-MAP6UN	38'-4"	36'-1"	9-7/16"	15-1/2"	14"	6'	3.1 sq. ft.	1,880 lbs.
MBQX11*113A-MAP8UN	38'-10"	36'-1"	9-7/16"	15-1/2"	14"	8'	2.1 sq. ft.	1,880 lbs.
MBQX12.2*113A-MAP4UN	41'-9"	40'-0"	9-15/16"	16-1/2"	15"	4'	5.1 sq. ft.	2,150 lbs.
MBQX12.2*113A-MAP6UN	42'-3"	40'-0"	9-15/16"	16-1/2"	15"	6'	3.0 sq. ft.	2,150 lbs.
MBQX12.2*113A-MAP8UN	42'-9"	40'-0"	9-15/16"	16-1/2"	15"	8'	2.0 sq. ft.	2,150 lbs.

Standard Anchor Bolts: 1" x 36" x 4" (Purchase Separately)

Pole & Arm Designator Layout

