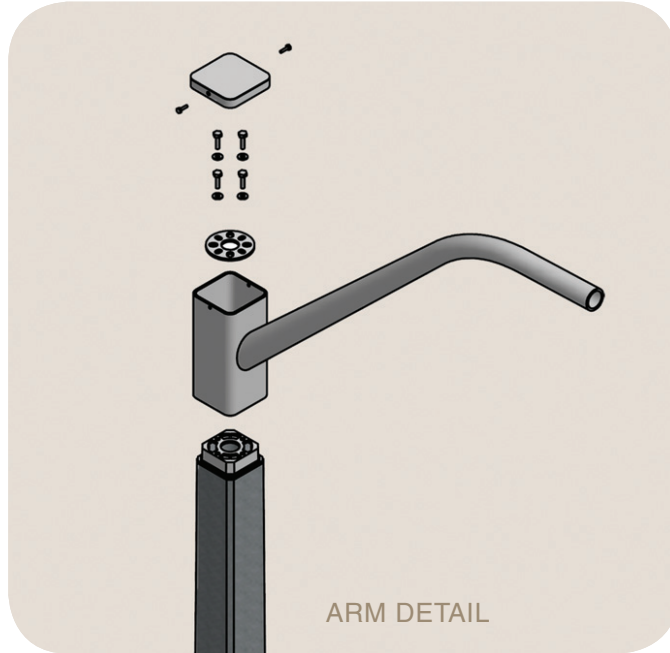
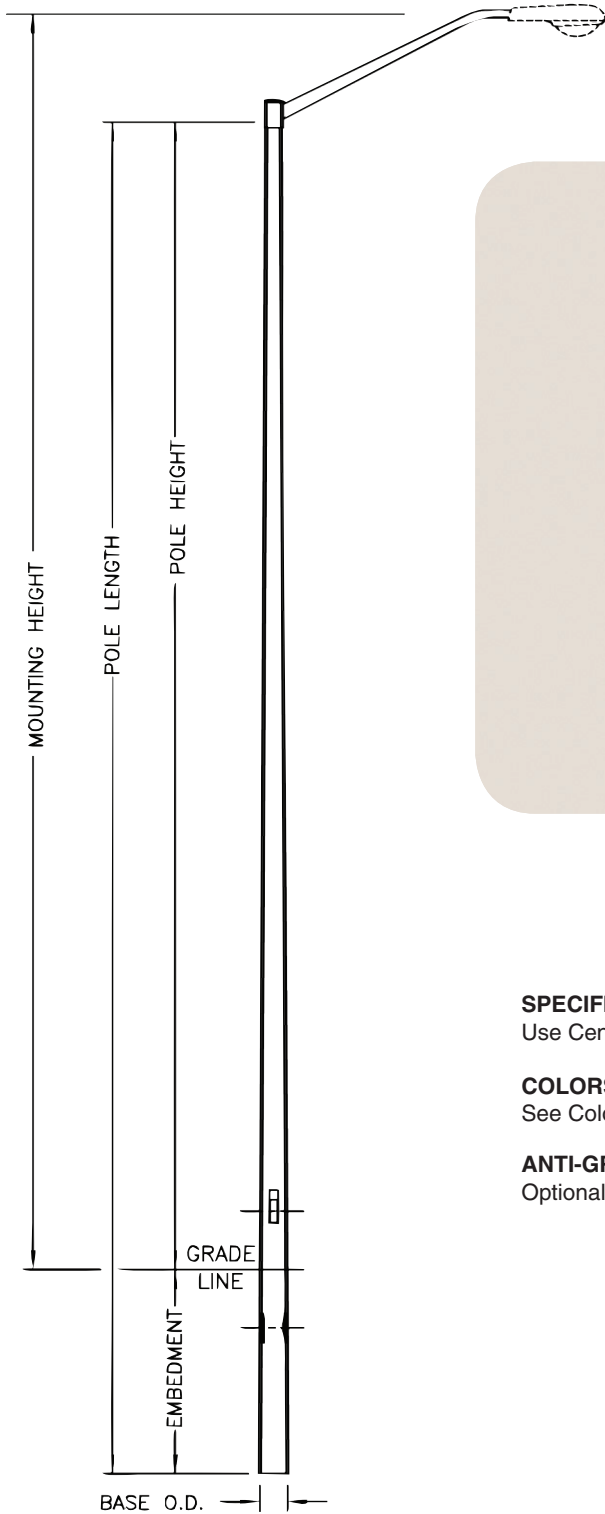
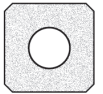




Centrecon Series

MEQ Pole with MAE Single Arm

Medium Embedded Square Pole with Aluminum Elliptical Arm



SPECIFICATIONS

Use Centrecon Specifications.

COLORS & FINISHES

See Color Selection Guide.

ANTI-GRAFFITI & SEALER

Optional Coatings available for added protection.



MEQ Pole with MAE Single Arm Combinations

Pole & Arm Configuration Includes Finish Code	Mounting Height	Pole Height	Base OD	Embedded Depth	Pole Length	Arm Length	Max. 50 lb. Luminaire EPA at 90 mph.	Pole Weight
MEQ06*113A-MAE4UN	22'-7"	19'-8"	8-1/16"	4'-11"	24'-7"	4'	6.3 sq. ft.	1,150 lbs.
MEQ06*113A-MAE6UN	22'-7"	19'-8"	8-1/16"	4'-11"	24'-7"	6'	4.0 sq. ft.	1,150 lbs.
MEQ06*113A-MAE8UN	22'-7"	19'-8"	8-1/16"	4'-11"	24'-7"	8'	2.4 sq. ft.	1,150 lbs.
MEQ07*113A-MAE4UN	25'-11"	23'-0"	8-3/8"	4'-11"	27'-11"	4'	6.3 sq. ft.	1,250 lbs.
MEQ07*113A-MAE6UN	25'-11"	23'-0"	8-3/8"	4'-11"	27'-11"	6'	4.0 sq. ft.	1,250 lbs.
MEQ07*113A-MAE8UN	25'-11"	23'-0"	8-3/8"	4'-11"	27'-11"	8'	2.4 sq. ft.	1,250 lbs.
MEQ07.5*113A-MAE4UN	27'-6"	24'-7"	8-9/16"	4'-11"	29'-6"	4'	6.3 sq. ft.	1,350 lbs.
MEQ07.5*113A-MAE6UN	27'-6"	24'-7"	8-9/16"	4'-11"	29'-6"	6'	4.0 sq. ft.	1,350 lbs.
MEQ07.5*113A-MAE8UN	27'-6"	24'-7"	8-9/16"	4'-11"	29'-6"	8'	2.4 sq. ft.	1350 lbs.
MEQ08.5*113A-MAE4UN	30'-10"	27'-11"	9"	4'-11"	32'-10"	4'	6.1 sq. ft.	1,570 lbs.
MEQ08.5*113A-MAE6UN	30'-10"	27'-11"	9"	4'-11"	32'-10"	6'	3.8 sq. ft.	1,570 lbs.
MEQ08.5*113A-MAE8UN	30'-10"	27'-11"	9"	4'-11"	32'-10"	8'	2.3 sq. ft.	1,570 lbs.
MEQX09.4*113A-MAE4UN	33'-9"	30'-10"	9-1/4"	5'-3"	36'-1"	4'	6.1 sq. ft.	1,775 lbs.
MEQX09.4*113A-MAE6UN	33'-9"	30'-10"	9-1/4"	5'-3"	36'-1"	6'	3.8 sq. ft.	1,775 lbs.
MEQX09.4*113A-MAE8UN	33'-9"	30'-10"	9-1/4"	5'-3"	36'-1"	8'	2.3 sq. ft.	1,775 lbs.
MEQX10.6*113A-MAE4UN	37'-8"	34'-9"	9-7/8"	5'-3"	40'-0"	4'	6.1 sq. ft.	2,050 lbs.
MEQX10.6*113A-MAE6UN	37'-8"	34'-9"	9-7/8"	5'-3"	40'-0"	6'	3.8 sq. ft.	2,050 lbs.
MEQX10.6*113A-MAE8UN	37'-8"	34'-9"	9-7/8"	5'-3"	40'-0"	8'	2.1sq. ft.	2,050 lbs.
MEQX12.2*113A-MAE4UN	42'-11"	40'-0"	11"	9'-3"	49'-3"	4'	6.0 sq. ft.	2,760 lbs.
MEQX12.2*113A-MAE6UN	42'-11"	40'-0"	11"	9'-3"	49'-3"	6'	3.6 sq. ft.	2,760 lbs.
MEQX12.2*113A-MAE8UN	42'-11"	40'-0"	11"	9'-3"	49'-3"	8'	2.0 sq. ft.	2,760 lbs.

Pole & Arm Designator Layout

