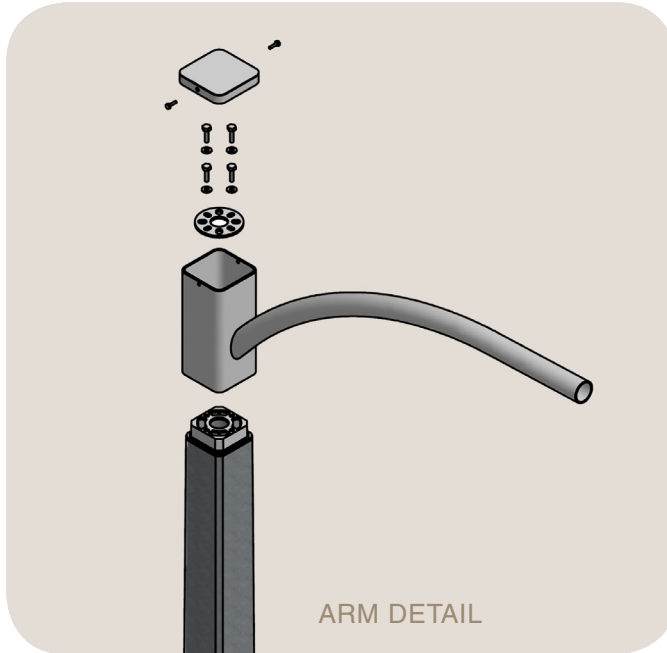
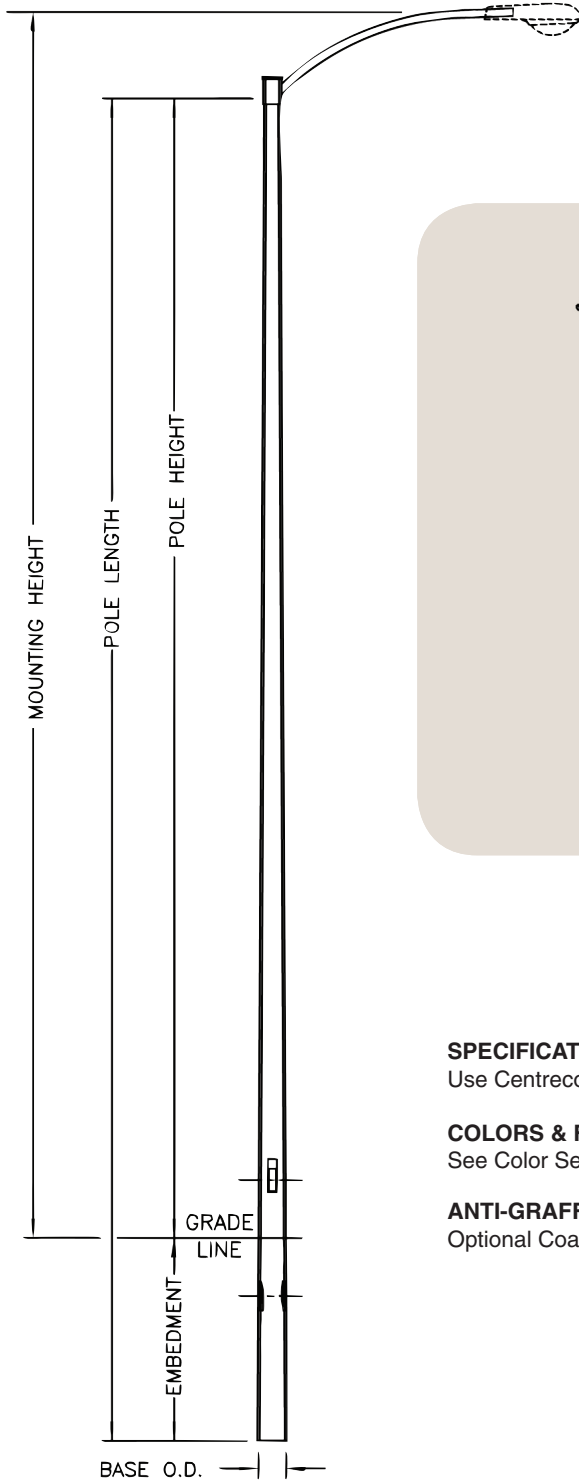




Centrecon Series

MEQ Pole with MAP Single Arm

Medium Embedded Square Pole with Aluminum Pipe Arm



SPECIFICATIONS

Use Centrecon Specifications.

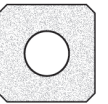
COLORS & FINISHES

See Color Selection Guide.

ANTI-GRAFFITI & SEALER

Optional Coatings available for added protection.

EMBEDDED STYLE SQUARE POLES





MEQ Pole with MAP Single Arm Combinations

Pole & Arm Configuration Includes Finish Code	Mounting Height	Pole Height	Base OD	Embedded Depth	Pole Length	Arm Length	Max. 50 lb. Luminaire EPA at 90 mph.	Pole Weight
MEQ06*113A-MAP4UN	21'-5"	19'-8"	8-1/16"	4'-11"	24'-7"	4'	5.4 sq. ft.	1,150 lbs.
MEQ06*113A-MAP6UN	21'-11"	19'-8"	8-1/16"	4'-11"	24'-7"	6'	3.3 sq. ft.	1,150 lbs.
MEQ06*113A-MAP8UN	22'-5"	19'-8"	8-1/16"	4'-11"	24'-7"	8'	2.2 sq. ft.	1,150 lbs.
MEQ07*113A-MAP4UN	24'-9"	23'-0"	8-3/8"	4'-11"	27'-11"	4'	5.4 sq. ft.	1,250 lbs.
MEQ07*113A-MAP6UN	25'-3"	23'-0"	8-3/8"	4'-11"	27'-11"	6'	3.3 sq. ft.	1,250 lbs.
MEQ07*113A-MAP8UN	25'-9"	23'-0"	8-3/8"	4'-11"	27'-11"	8'	2.2 sq. ft.	1,250 lbs.
MEQ07.5*113A-MAP4UN	26'-4"	24'-7"	8-9/16"	4'-11"	29'-6"	4'	5.4 sq. ft.	1,350 lbs.
MEQ07.5*113A-MAP6UN	26'-10"	24'-7"	8-9/16"	4'-11"	29'-6"	6'	3.3 sq. ft.	1,350 lbs.
MEQ07.5*113A-MAP8UN	27'-4"	24'-7"	8-9/16"	4'-11"	29'-6"	8'	2.2 sq. ft.	1,350 lbs.
MEQ08.5*113A-MAP4UN	29'-8"	27'-11"	9"	4'-11"	32'-10"	4'	5.4 sq. ft.	1,570 lbs.
MEQ08.5*113A-MAP6UN	30'-2"	27'-11"	9"	4'-11"	32'-10"	6'	3.3 sq. ft.	1,570 lbs.
MEQ08.5*113A-MAP8UN	30'-8"	27'-11"	9"	4'-11"	32'-10"	8'	2.2 sq. ft.	1,570 lbs.
MEQX09.4*113A-MAP4UN	32'-7"	30'-10"	9-1/4"	5'-3"	36'-1"	4'	5.2 sq. ft.	1,775 lbs.
MEQX09.4*113A-MAP6UN	33'-1"	30'-10"	9-1/4"	5'-3"	36'-1"	6'	3.1 sq. ft.	1,775 lbs.
MEQX09.4*113A-MAP8UN	33'-7"	30'-10"	9-1/4"	5'-3"	36'-1"	8'	2.1 sq. ft.	1,775 lbs.
MEQX10.6*113A-MAP4UN	36'-6"	34'-9"	9-7/8"	5'-3"	40'-0"	4'	5.2 sq. ft.	2,050 lbs.
MEQX10.6*113A-MAP6UN	37'-0"	34'-9"	9-7/8"	5'-3"	40'-0"	6'	3.1 sq. ft.	2,050 lbs.
MEQX10.6*113A-MAP8UN	37'-6"	34'-9"	9-7/8"	5'-3"	40'-0"	8'	2.1 sq. ft.	2,050 lbs.
MEQX12.2*113A-MAP4UN	41'-9"	40'-0"	11"	9'-3"	49'-3"	4'	5.0 sq. ft.	2,760 lbs.
MEQX12.2*113A-MAP6UN	42'-3"	40'-0"	11"	9'-3"	49'-3"	6'	3.0 sq. ft.	2,760 lbs.
MEQX12.2*113A-MAP8UN	42'-9"	40'-0"	11"	9'-3"	49'-3"	8'	2.0 sq. ft.	2,760 lbs.

Pole & Arm Designator Layout

