

Ameron™

Contemporary Series 1C3 / 0C3 Round Poles

Available in base plate and embedded styles

Our 1C3 and 0C3 poles are the ideal strength for larger roadways and street lighting, parking lots, recreational areas and similar areas. Application can be post top or side mounted.

Features and Benefits

- Prestressed steel and highest quality concrete are centrifugally cast for ultimate strength, durability and vibration resistance
- Natural stone and terrazzo aggregates maintain a like new appearance with virtually no maintenance
- Conforms to applicable sections of ACI, AASHTO, ASTM, and IBC standards
- Exclusive 10-year warranty

Colors and Finishes

A wide range of standard, pre-formulated and custom colors are available. The concrete shafts are lightly blasted to expose the texture and color of the natural stone. See separate Aggregates and Finishes sheet for details. We offer Amershield™, a premium graffiti-resistant coating, as well as other durable sealers and protectants that further enhance colors, protect the concrete surface and aid in the removal of graffiti.

Durability with a classic touch.



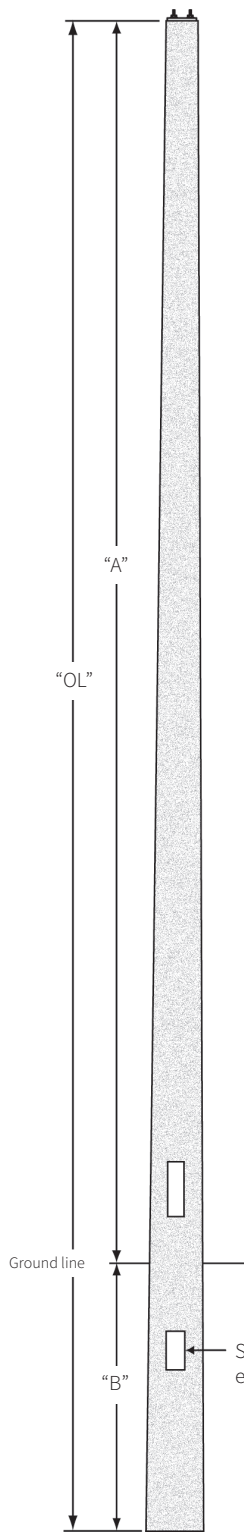
For further information contact us at: 1.800.552.6376



nov.com/poleproducts

Ameron™ Contemporary Series 1C3 / 0C3 Round Poles

6" Top O.D.



0C3 Embedded Pole

Base Plate Style - Information

Catalog Number	Pole Height "A"	Base O.D.	Anchor Bolt	Bolt Circle	Base Plate (SQ)	Ultimate G.L. Moment (ft. lbs.)	Pole Weight (lbs.)
1C322	22'-8"	9 ³ / ₁₆ "	1" x 36" x 4"	12 ¹ / ₂ "	14"	31,400	980
1C325	25'-0"	9 ⁷ / ₁₆ "	1" x 36" x 4"	15 ¹ / ₄ "	14"	34,700	1,240
1C328	28'-1"	9 ⁷ / ₈ "	1" x 36" x 4"	15 ¹ / ₄ "	14"	38,800	1,495
1C330	30'-1"	10 ³ / ₁₆ "	1" x 36" x 4"	15 ¹ / ₄ "	14"	41,700	1,730
1C333	33'-0"	10 ¹ / ₂ "	1" x 36" x 4"	15 ¹ / ₄ "	14"	46,100	1,840

Embedded Style - Information

Catalog Number	Pole Height "A"	Bottom Dia.	Embedded Depth "B"	Overall Length "OL"	Ultimate G.L. Moment (ft. lbs.)	Pole Weight (lbs.)
0C322	18'-5"	9 ³ / ₁₆ "	4'-3"	22'-8"	25,500	960
0C325	20'-0"	9 ⁷ / ₁₆ "	5'-0"	25'-0"	28,000	990
0C328	23'-0"	9 ⁷ / ₈ "	5'-0"	28'-0"	30,500	1,475
0C330	25'-0"	10 ³ / ₁₆ "	5'-0"	30'-0"	32,800	1,720
0C333	27'-6"	10 ¹ / ₂ "	5'-6"	33'-0"	35,800	1,820

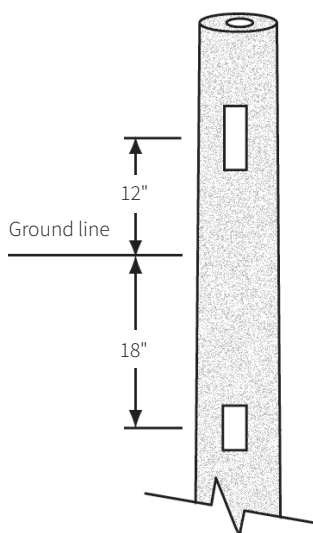
Specifications: Use Contemporary Specifications.

Colors and finishes: See Contemporary Color Selection Guide.

Luminaire mounting: See technical-mounting options section for more information.

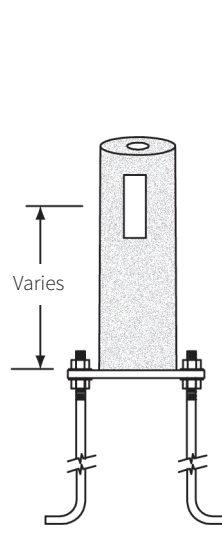
Anti-graffiti and sealer: Optional coatings available for added protection.

Embedded Style

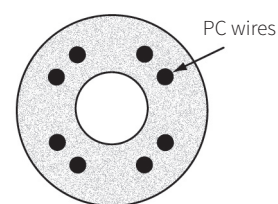


0C3 Elevation

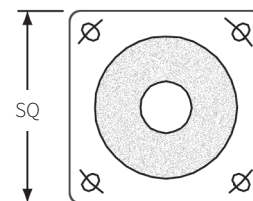
Base Plate Style



1C3 Elevation
See recommended "capping details"



0C3 / 1C3 shaft cross section detail



1C3 slotted base plate prestressed to pole

For further information contact us at: 1.800.552.6376

