

Ameron™

Centrecon S-Series Square Poles

Available in base plate and embedded styles.

Our S-Series poles provide light duty strength typically used for illuminating shopping centers, parks, a school campus or similar applications. Mounting options include post top or side mounted.

Features and Benefits

- Prestressed steel and highest quality concrete are centrifugally cast for ultimate strength and long-term durability
- Natural stone and terrazzo aggregates maintain a like new appearance with virtually no maintenance
- Conforms to applicable sections of ACI, AASHTO, ASTM and PCI standards
- Exclusive 10-year warranty

Colors and Finishes

A wide range of standard, pre-formulated and custom colors are available. The concrete shafts are lightly blasted to expose the texture and beauty of the natural stone. See separate Aggregates and Finishes sheet for details. We offer Amershield™, a premium graffiti-resistant coating, as well as other durable sealers and protectants that further enhance colors, protect the concrete surface and aid in the removal of graffiti.

Durability with a classic touch.

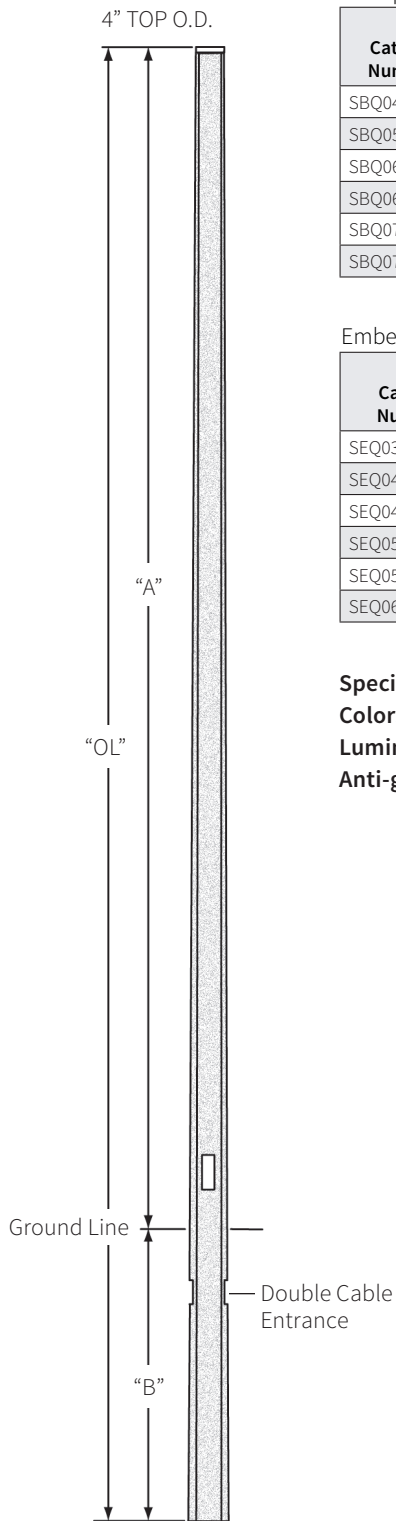


For further information contact us at: 1.800.552.6376



nov.com/poleproducts

Ameron™ Centrecon S-Series Square Pole



Base plate style - information

Catalog Number	Pole Height "A"	Base OD	Anchor Bolt	Bolt Circle	Base Plate (Sq)	Ultimate G.L. Moment (ft. lbs.)	Pole Weight (lbs.)
SBQ04	13'-1"	5-1/2"	3/4" x 24" x 4"	11-1/2"	11"	11,060	300
SBQ05	16'-5"	5-7/8"	3/4" x 24" x 4"	11-1/2"	11"	11,970	400
SBQ06	19'-8"	6-3/8"	3/4" x 24" x 4"	11-1/2"	11"	12,980	510
SBQ06.5	21'-4"	6-1/2"	3/4" x 24" x 4"	11-1/2"	11"	13,320	565
SBQ07	23'-0"	6-11/16"	3/4" x 24" x 4"	11-1/2"	11"	13,660	620
SBQ07.5	24'-7"	6-7/8"	3/4" x 24" x 4"	11-1/2"	11"	13,950	680

Embedded style - information

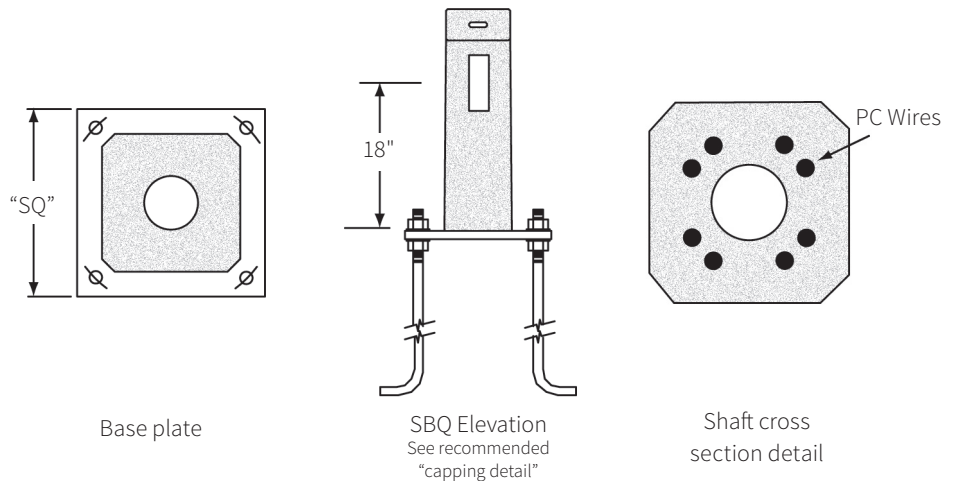
Catalog Number	Pole Height "A"	Base OD	Embedded Depth "B"	Overall Length "OL"	Ultimate G.L. Moment (ft. lbs.)	Pole Weight (lbs.)
SEQ03	9'-10"	5-1/2"	3'-3"	13'-1"	9,940	270
SEQ04	13'-1"	5-7/8"	3'-3"	16'-4"	11,060	380
SEQ04.6	15'-0"	6-3/8"	4'-8"	19'-8"	11,950	480
SEQ05.2	17'-0"	6-1/2"	4'-3"	21'-3"	12,980	540
SEQ05.7	18'-8"	6-11/16"	4'-4"	23'-0"	13,300	610
SEQ06	19'-8"	6-7/8"	4'-11"	24'-7"	13,750	680

Specifications: Use Centrecon Specifications

Colors and finishes: See Centrecon color selection guide

Luminaire mounting: See Mounting Options section for more information

Anti-graffiti and sealer: Optional coatings are available for added protection



For further information contact us at: 1.800.552.6376



nov.com/poleproducts

© 2017 National Oilwell Varco - All rights reserved - 11888_ENG_v01