

Ameron™

Contemporary Series 1C1 / 0C1 Octagonal Poles

Available in base plate and embedded styles

Our 1C1 and 0C1 poles are the ideal strength for street lighting, park and recreation areas, parking lots, area security and walkways. Application can be post top, side mounted or mast arm.

Features and Benefits

- Prestressed steel and highest quality concrete are centrifugally cast for ultimate strength, durability and vibration resistance.
- Natural stone and terrazzo aggregates maintain a like new appearance with virtually no maintenance.
- Conforms to applicable sections of ACI, AASHTO, ASTM, and IBC standards.
- Exclusive 10-year warranty

Colors and Finishes

A wide range of standard, pre-formulated and custom colors are available. The concrete shafts are lightly blasted to expose the texture and color of the natural stone. See separate Aggregates and Finishes sheet for details. We offer Amershield™, a premium graffiti-resistant coating, as well as other durable sealers and protectants that further enhance colors, protect the concrete surface and aid in the removal of graffiti.

Durability with a classic touch.



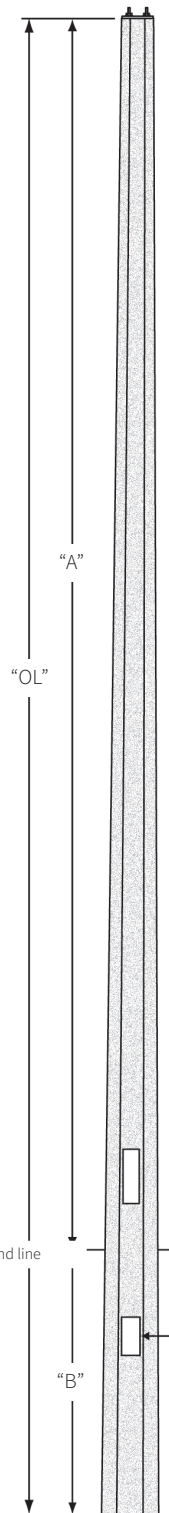
For further information contact us at: 1.800.552.6376



nov.com/poleproducts

Ameron™ Contemporary Series 1C1 / 0C1 Octagonal Poles

6" Top O.D. Across The Flats



Base Plate Style - Information

Catalog Number	Pole Height "A"	Base O.D.	Anchor Bolt	Bolt Circle	Base Plate (SQ)	Ultimate G.L. Moment (ft. lbs.)	Pole Weight (lbs.)
1C116	16'-3"	7¾"	1" x 36" x 4"	12½"	12"	17,000	560
1C117	17'-9"	7⅞"	1" x 36" x 4"	12½"	12"	18,400	630
1C119	19'-6"	8"	1" x 36" x 4"	12½"	12"	20,000	720
1C120	20'-9"	8¼"	1" x 36" x 4"	12½"	12"	21,200	800
1C123	23'-3"	8⅝"	1" x 36" x 4"	12½"	12"	22,200	940
1C125	25'-9"	8¾"	1" x 36" x 4"	12½"	12"	25,400	1,030
1C128	28'-3"	9"	1" x 36" x 4"	12½"	12"	27,400	1,240
1C129	29'-3"	9⅞"	1" x 36" x 4"	12½"	12"	28,100	1,290
1C140	40'-3"	10¼"	1¼" x 44" x 4"	14"	14"	38,200	2,090

Embedded Style - Information

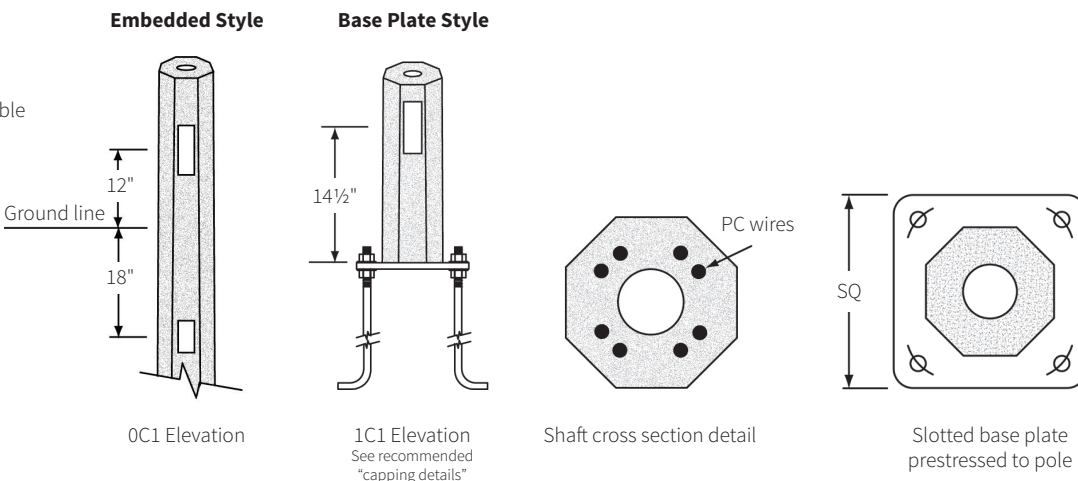
Catalog Number	Pole Height "A"	Bottom Dia.	Embedded Depth "B"	Overall Length "OL"	Ultimate G.L. Moment (ft. lbs.)	Pole Weight (lbs.)
0C116	12'-3"	7¾"	4'-0"	16'-3"	16,300	530
0C117	13'-9"	7⅞"	4'-0"	17'-9"	17,400	600
0C119	15'-6"	8"	4'-0"	19'-6"	18,000	690
0C120	16'-9"	8¼"	4'-0"	20'-9"	18,900	770
0C123	18'-9"	8⅝"	4'-6"	23'-3"	19,900	910
0C125	21'-0"	8¾"	4'-9"	25'-9"	21,600	1,000
0C128	23'-3"	9"	5'-0"	28'-3"	23,000	1,210
0C129	24'-3"	9⅞"	5'-0"	29'-3"	23,600	1,260
0C140	34'-3"	10¼"	6'-0"	40'-3"	34,000	2,020

Specifications: Use Contemporary Specifications.

Colors and finishes: See Contemporary Color Selection Guide.

Luminaire mounting: See technical-mounting options section for more information.

Anti-graffiti and sealer: Optional coatings available for added protection.



For further information contact us at: 1.800.552.6376

