

# Ameron™

## Contemporary

### Series 3B3

### Round Pole

#### Available in base plate style

Our Contemporary Series decorative base poles are ideal for street lighting, recreational areas, parking lots, walkways, and security lighting. Application can be post top or mast arm. Ameron poles are constructed with the highest quality materials and workmanship

#### Features and Benefits

- Prestressed steel and highest quality concrete are centrifugally cast for ultimate strength and durability.
- Natural stone and terrazzo aggregates maintain a like new appearance with virtually no maintenance.
- Conforms to applicable sections of ACI, AASHTO, ASTM, and IBC standards.
- Exclusive 10-year warranty

#### Colors and Finishes

A wide range of standard, pre-formulated and custom colors are available. The concrete shafts are lightly blasted to expose the texture and color of the natural stone. See separate Aggregates and Finishes sheet for details. We offer Amershield™, a premium graffiti-resistant coating, as well as other durable sealers and protectants that further enhance colors, protect the concrete surface and aid in the removal of graffiti.

#### Durability with a classic touch.



For further information contact us at: 1.800.552.6376



[poleproducts@nov.com](mailto:poleproducts@nov.com)

[nov.com/poleproducts](http://nov.com/poleproducts)

# Ameron™ Contemporary Series 3B3 Pole



## Base Plate Style - Information

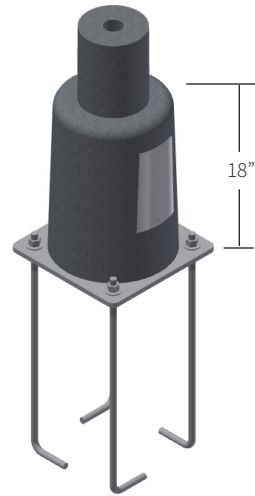
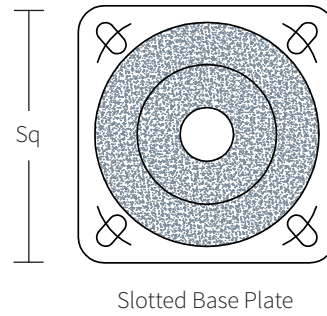
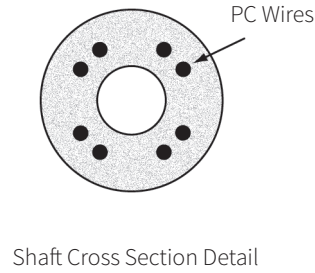
Catalog Number	Pole Height "A"	Top O.D.	Base O.D.	Anchor Bolt	Bolt Circle	Base Plate (Sq)	Ultimate G.L. Moment (ft. lbs.)	Pole Weight (lbs.)
3B330	30'-4"	6"	18"	1" x 36" x 4"	21"	20"	34,700	1,870

**Specifications:** Use Contemporary Specifications

**Colors and finishes:** See Contemporary Color Selection guide

**Luminaire mounting:** See technical-mounting options section for more information

**Anti-graffiti and sealer:** Optional coatings available for added protection



Elevation  
See Recommended  
"Capping Detail"

For further information contact us at: 1.800.552.6376

