

Ameron™

Traditional Series

Delphi Pole

Available in base plate and internal bolting

The Delphi pole elegantly enhances surrounding architecture and projects a subtle strength that will withstand the test of time.

Our Traditional Series lighting poles combine the charm of yesterday with the technology of today. Available in a wide variety of styles, colors and finishes, these poles provide architects and designers with many creative options.

Features and Benefits

- Prestressed steel and highest quality concrete are centrifugally cast for ultimate strength and durability.
- Natural stone and terrazzo aggregates maintain a like new appearance with virtually no maintenance.
- Conforms to applicable sections of ACI, AASHTO, ASTM, and IBC standards.
- Exclusive 10-year warranty

Colors and Finishes

A wide range of standard, pre-formulated and custom colors are available. The concrete shafts are lightly blasted to expose the texture and color of the natural stone. See separate Aggregates and Finishes sheet for details. We offer Amershield™, a premium graffiti-resistant coating, as well as other durable sealers and protectants that further enhance colors, protect the concrete surface and aid in the removal of graffiti.

Durability with a classic touch.

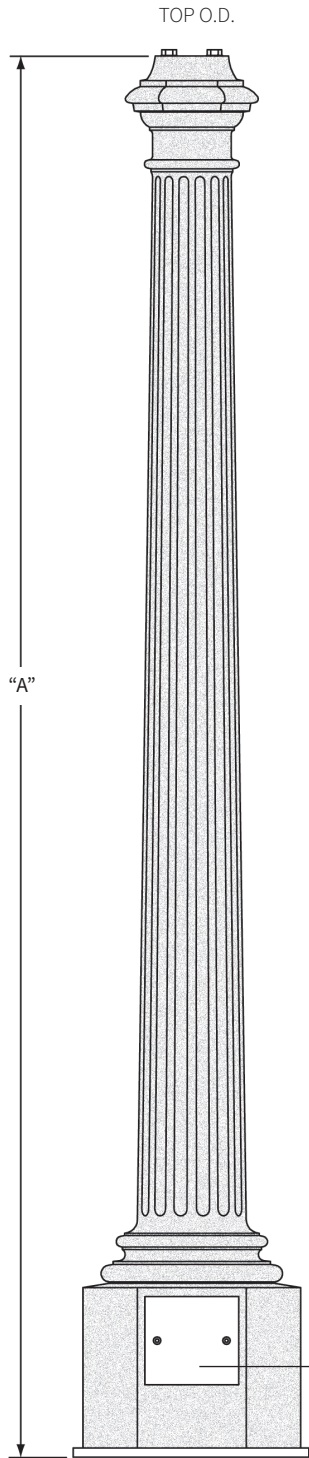


For further information contact us at: 1.800.552.6376



poleproducts@nov.com

nov.com/poleproducts



Base Plate Style - Information

Catalog Number	Pole Height "A"	Top O.D.	Base O.D.	Anchor Bolt	Bolt Circle	Base Plate (Sq)	Ultimate G.L. Moment (ft. lbs.)	Pole Weight (lbs.)
22CT10	9'-7-1/2"	10"	15-9/16"	3/4" x 18" x 4"	18"	18-1/2"	16,200	540

Internal Bolting Base Plate Style - Information

Catalog Number	Pole Height "A"	Top O.D.	Base O.D.	Anchor Bolt	Bolt Circle*	Base Plate (Sq)	Ultimate G.L. Moment (ft. lbs.)	Pole Weight (lbs.)
22ST10	9'-7-1/2"	10"	15-9/16"	1" ø A449	6-1/2"	N/A	16,200	540

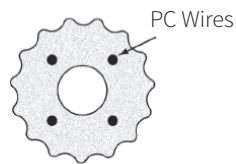
*Internal adapter plates are available for smaller and larger bolt circles. Contact NOV representative for alternate bolt sizes and patterns.

Specifications: Use Contemporary Specifications

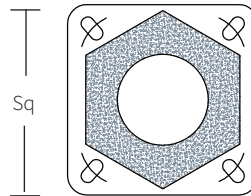
Colors and finishes: See Contemporary Color Selection Guide

Luminaire mounting: See technical-mounting options section for more information

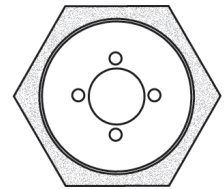
Anti-graffiti and sealer: Optional coatings available for added protection



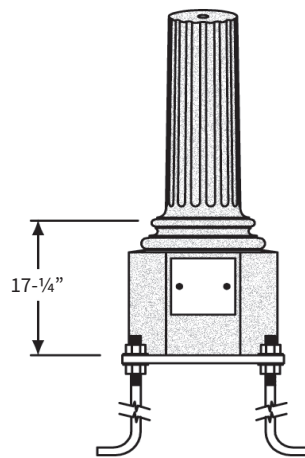
22CT10 and 22ST10
Shaft Cross Section Detail



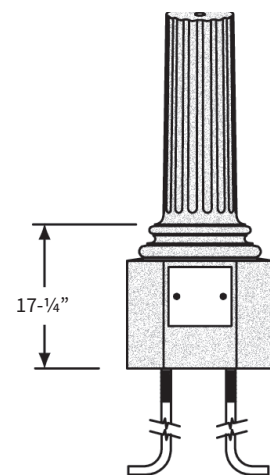
22CT10
Slotted Base Plate



22ST10
Internal Bolting



22CT10 Elevation
See recommended
"capping detail"



22ST10 Elevation

For further information contact us at: 1.800.552.6376