

Ameron™

Victorian IX Pole

Available in base plate and embedded styles.

This Victorian pole features turn of the century design reminiscent of the gaslight era that complements traditional and contemporary styles. The slightly tapered shaft incorporates aesthetic and architectural essence to this refined Victorian IX pole.

Our Victorian Series lighting poles combine the charm of yesterday with the technology of today. Available in a variety of configurations, colors and finishes, the Victorian Series provides architects and designers with many creative options.

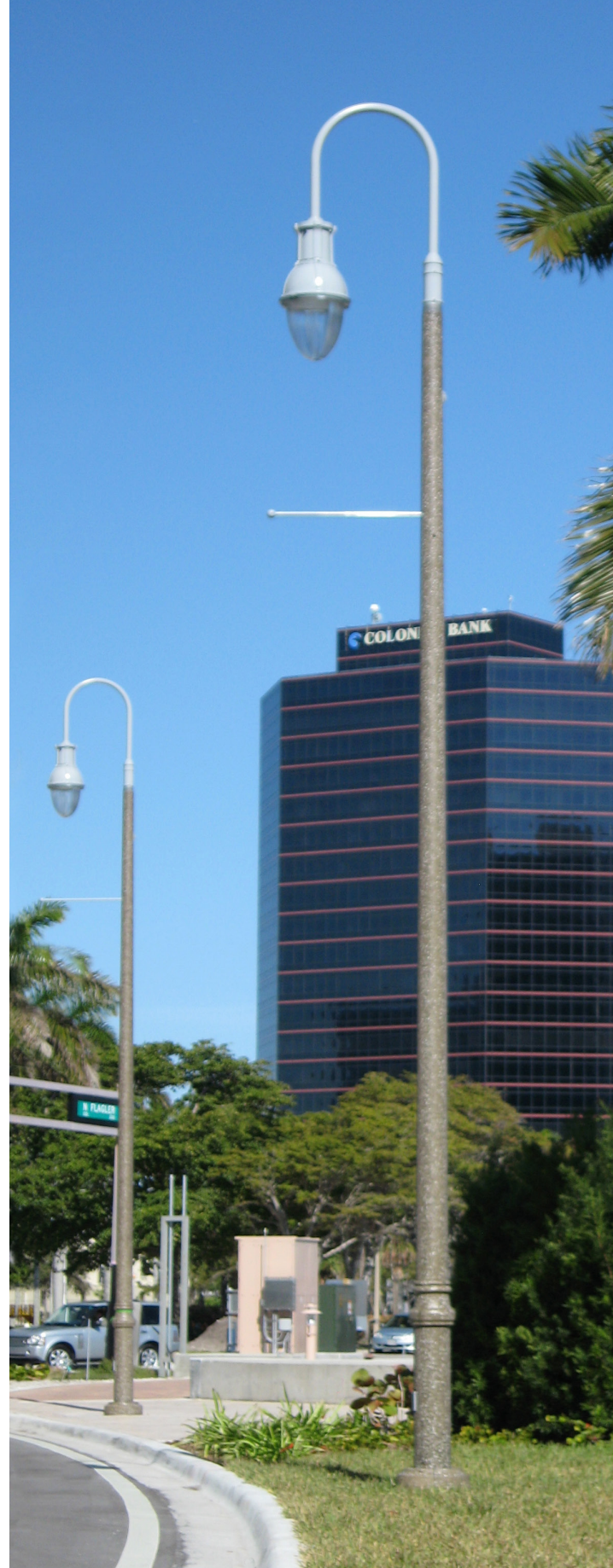
Features and Benefits

- Prestressed steel and highest quality concrete are centrifugally cast for ultimate strength and durability
- Natural stone and terrazzo aggregates maintain a like new appearance with virtually no maintenance
- Conforms to applicable sections of ACI, AASHTO, ASTM, and IBC standards
- Exclusive 10-year warranty

Colors and Finishes

A wide range of standard, pre-formulated and custom colors are available. The concrete shafts are lightly blasted to expose the texture and color of the natural stone. See separate Aggregates and Finishes sheet for details. We offer Amershield™, a premium graffiti-resistant coating, as well as other durable sealers and protectants that further enhance colors, protect the concrete surface and aid in the removal of graffiti.

Durability with a classic touch.

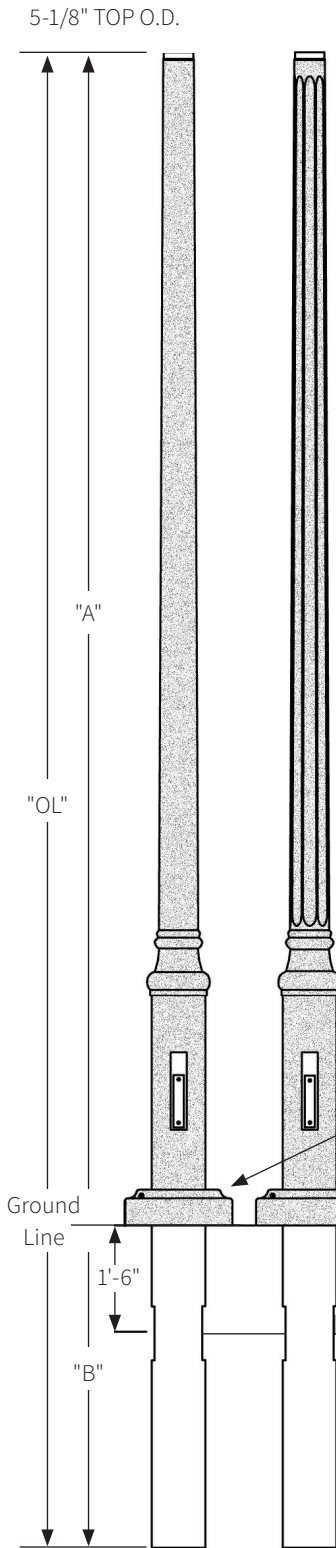


For further information contact us at: 1.800.552.6376



nov.com/poleproducts

Ameron™ Victorian IX Pole



Base plate style - information

Catalog Number	Pole Height "A"	Base OD	Anchor Bolt	Bolt Circle	Base Plate (Sq)	Ultimate G.L. Moment (ft. lbs.)	Pole Weight (lbs.)
VBZ03.2	10'-7"	9"	3/4" x 24" x 4"	11" - 12"	11- 1/2"	15,000	300
VBZ03.8	12'-7"	9"	3/4" x 24" x 4"	11" - 12"	11-1/2"	15,000	330
VBZ05	16'-7"	9"	3/4" x 24" x 4"	11" - 12"	11-1/2"	15,000	450
VBZR05**	16'-7"	9"	3/4" x 24" x 4"	11" - 12"	11-1/2"	15,000	410
VBZR06**	19'-7"	9"	1" x 36" x 4"	11" - 12"	11-1/2"	22,500	650
VBZR07.5**	24'-7"	9"	1" x 36" x 4"	11" - 12"	11-1/2"	22,500	850
VBZR09**	29'-6"	9"	1" x 36" x 4"	11" - 12"	11-1/2"	22,500	1,050
VBZX09	29'-6"	9"	1" x 36" x 4"	11" - 12"	11-1/2"	28,000	1,100

Embedded style - information

Catalog Number	Pole Height "A"	Base OD	SHAFT OD	Embedded Depth "B"	Overall Length "OL"	Ultimate G.L. Moment (ft. lbs.)	Pole Weight (lbs.)
VEZ03.2	10'-4"	9"	6.5"	4'-6"	14'-10"	15,000	490
VEZ03.8	12'-4"	9"	6.5"	4'-6"	16'-10"	15,000	520
VEZ05	16'-4"	9"	6.5"	4'-6"	20'-10"	15,000	700
VEZR05**	16'-4"	9"	6.5"	4'-6"	20'-10"	15,000	725
VEZR06**	19'-7"	9"	8"	5'-3"	24'-10"	22,500	800
VEZR07.5**	24'-7"	9"	8"	5'-3"	29'-10"	22,500	1,000
VEZX09	29'-6"	9"	6"	5'-3"	34'-9"	22,500	1,300
VEZR09**	29'-6"	9"	8"	5'-3"	34'-9"	28,000	1,400

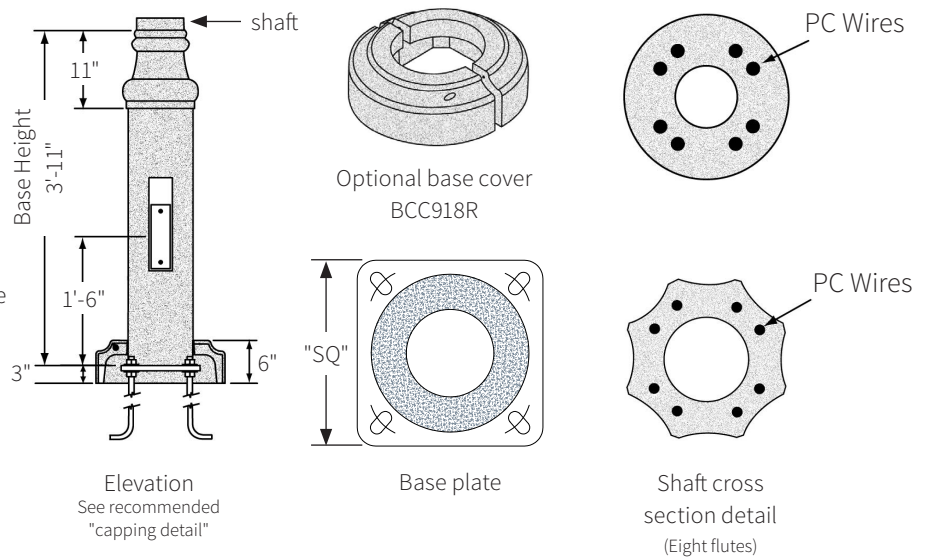
**VBZR & VEZR poles - upper shaft is round tapered

Specifications: Use Centrecon Specifications

Colors and finishes: See Centrecon color selection guide

Luminaire mounting: See Mounting Options section for more information

Anti-graffiti and sealer: Optional coatings are available for added protection



For further information contact us at: 1.800.552.6376



nov.com/poleproducts