

Ameron Centrecon C-Series Octagonal Poles

Available in base plate and embedded styles

Our Centrecon CBO and CEO tapered lighting poles provide the durable strength required for street lighting, shopping centers, parking lots and area security. Application can be post top, mast arm or side mounted.

Features and Benefits

- High tensile steel cables, a welded wirecage and high strength centrifugally cast concrete provide optimum strength and torsional reinforcement
- Prestressed spun-cast concrete provides long-term durability and vibration resistance
- Natural stone and terrazzo aggregates maintain a like new appearance with virtually no maintenance
- Conforms to applicable sections of ACI, AASHTO, ASTM, and IBC standards
- Exclusive 10-year warranty

Colors and Finishes

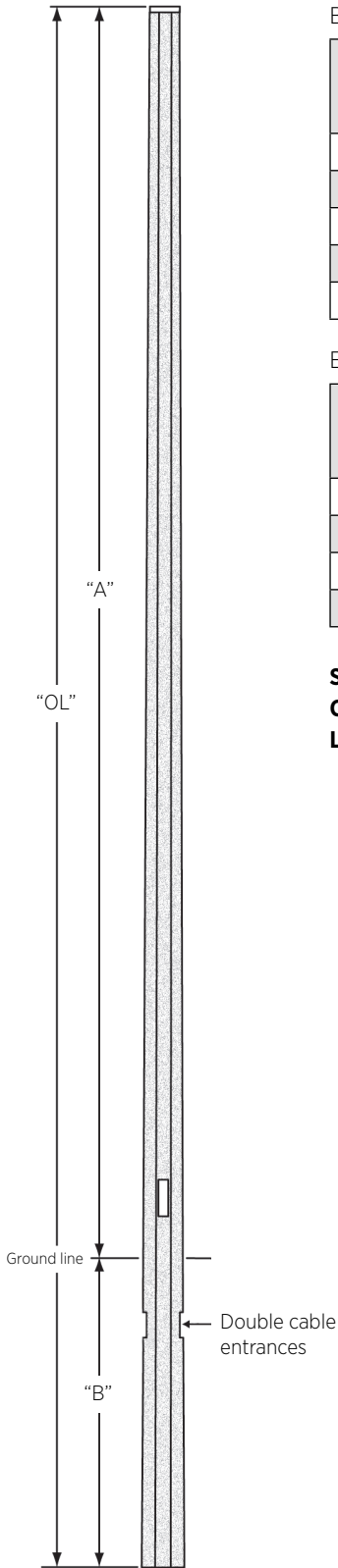
A wide range of standard, pre-formulated and custom colors are available. The concrete shafts are lightly blasted to expose the texture and beauty of the natural stone. See separate Aggregates and Finishes sheet for details. We offer Amerishield™ a premium graffiti-resistant coating, as well as other durable sealers and protectants that further enhance colors, protect the concrete surface and aid in the removal of graffiti.

Durability with a classic touch.



Ameron Centrecon CBO and CEO Octagonal Poles

5 7/8" Top O.D.
Across the Flats



Base Plate Style - Information

| Catalog Number | Pole Height "A" | Base O.D. | Anchor Bolt | Bolt Circle | Base Plate (SQ) | Ultimate G.L. Moment (ft. lbs.) | Pole Weight (lbs.) |
|----------------|-----------------|-----------|-------------------|-------------|-----------------|---------------------------------|--------------------|
| CBOX07 | 23'-0" | 8-11/16" | 1" x 36" x 4" | 12-1/2" | 12" | 28,200 | 920 |
| CBOX08.5 | 27'-11" | 9-1/4" | 1" x 36" x 4" | 12-1/2" | 12" | 32,500 | 1,160 |
| CBOX09.0 | 29'-6" | 9-7/16" | 1" x 36" x 4" | 12-1/2" | 12" | 34,800 | 1,250 |
| CBOX09.8 | 32'-0" | 9-3/4" | 1" x 36" x 4" | 12-1/4" | 12" | 35,500 | 1,380 |
| CBOX11.3 | 37'-0" | 10-3/8" | 1 1/4" x 48" x 4" | 14" | 14" | 40,300 | 1,670 |

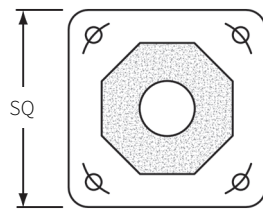
Embedded Style - Information

| Catalog Number | Pole Height "A" | Bottom O.D. | Embedded Depth "B" | Overall Length "OL" | Ultimate G.L. Moment (ft. lbs.) | Pole Weight (lbs.) |
|----------------|-----------------|-------------|--------------------|---------------------|---------------------------------|--------------------|
| CEOX07 | 23'-0" | 9-1/4" | 4'-10" | 27'-10" | 28,200 | 1,100 |
| CEOX08.2 | 27'-0" | 9-3/4" | 5'-0" | 32'-0" | 32,500 | 1,330 |
| CEOX08.5 | 27'-10" | 9-3/4" | 5'-0" | 32'-10" | 33,000 | 1,380 |
| CEOX09.5 | 31'-0" | 10-3/8" | 6'-0" | 37'-0" | 34,900 | 1,620 |

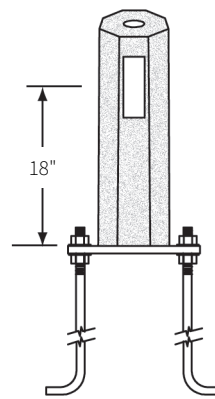
Specifications: Use Centrecon Specifications.

Colors and Finishes: See Centrecon color selection guide.

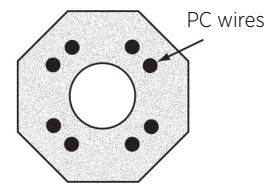
Luminaire Mounting: See Mounting Options section for more information.



Slotted base plate prestressed to pole



Elevation
See recommended "capping details"



Shaft cross section detail