



Durability with a classic touch.

Available in base plate and embedded styles.

Features and Benefits

- Prestressed steel and highest quality concrete are centrifugally cast for ultimate strength and long-term durability
- Natural stone and terrazzo aggregates maintain a like new appearance with virtually no maintenance
- Conforms to applicable sections of ACI, AASHTO, ASTM and PCI standards
- Exclusive 10-year warranty

Colors and Finishes

A wide range of standard, pre-formulated and custom colors are available. The concrete shafts are lightly blasted to expose the texture and beauty of the natural stone. See separate Aggregates and Finishes sheet for details. We offer Amerishield™, a premium graffiti-resistant coating, as well as other durable sealers and protectants that further enhance colors, protect the concrete surface and aid in the removal of graffiti.

Victorian VII Pole

The fluted Victorian VII pole features a turn of the century design reminiscent of the gaslight era, and complements historical and contemporary architecture.

Our Victorian Series lighting poles combine the charm of yesterday with the technology of today. Available in a variety of configurations, colors and finishes, the Victorian Series provides architects and designers with many creative options.

Victorian VII - Base plate style information

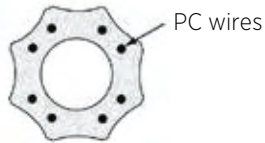
Catalog Number	Pole Height "A"	Top OD	Base OD	Anchor Bolt	Bolt Circle	Base Plate (Sq)	Ultimate G.L. Moment	Pole Weight
VBG03.2	10'-4"	5 1/8"	9"	3/4" x 24"x 4"	11 1/2"	11"	15,000 ft lbs	300lbs.
VBG03.8	12'-4"	5 1/8"	9"	3/4" x 24"x 4"	11 1/2"	11"	15,000 ft lbs	330 lbs.
VBG05	16'-4"	5 1/8"	9"	3/4" x 24"x 4"	11 1/2"	11"	15,000 ft lbs	450lbs.
VBGR05*	16'-4"	5 1/8"	9"	3/4" x 24"x 4"	11 1/2"	11"	15,000 ft lbs	410 lbs.
VBGR06*	19'-7"	5 1/8"	9"	1" x 36"x 4"	11 1/2"	11"	15,000 ft lbs	650lbs.
VBGR07.5*	24'-7"	5 1/8"	9"	1" x 36"x 4"	11 1/2"	11"	15,000 ft lbs	850lbs.
VBGR09*	29'-6"	5 1/8"	9"	1" x 36"x 4"	11 1/2"	11"	15,000 ft lbs	1,050lbs.
VBGX09	29'-6"	5 1/8"	9"	1" x 36"x 4"	11 1/2"	11"	15,000 ft lbs	1,100 lbs.

Victorian VII - Embedded style information

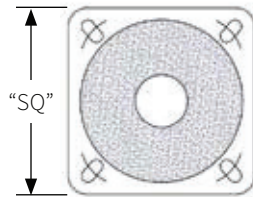
Catalog Number	Pole Height "A"	Top OD	Base OD	Embedded Depth "B"	Overall Length "OL"	Ultimate G.L. Moment	Pole Weight
VEG03.2	10'-4"	5 1/8"	9"	4'-6"	14'-10"	15,000 ft lbs	490 lbs
VEG03.8	12'-4"	5 1/8"	9"	4'-6"	16'-10"	15,000 ft lbs	520 lbs
VEG05	16'-4"	5 1/8"	9"	4'-6"	20'-10"	15,000 ft lbs	700 lbs
VEGR05*	16'-4"	5 1/8"	9"	4'-6"	20'-10"	15,000 ft lbs	650 lbs
VEGR06*	19'-7"	5 1/8"	9"	5'-3"	24'-10"	15,000 ft lbs	750 lbs
VEGR07.5*	24'-7"	5 1/8"	9"	5'-3"	29'-10"	15,000 ft lbs	1,000 lbs
VEGR09*	29'-6"	5 1/8"	9"	5'-3"	34'-9"	15,000 ft lbs	1,300 lbs
VEGX09	29'-6"	5 1/8"	9"	5'-3"	34'-9"	15,000 ft lbs	1,400 lbs

*VBGR & VEGR poles - upper shaft is round tapered, not fluted.

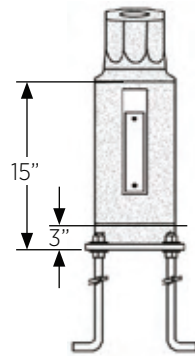
Top OD across the flats



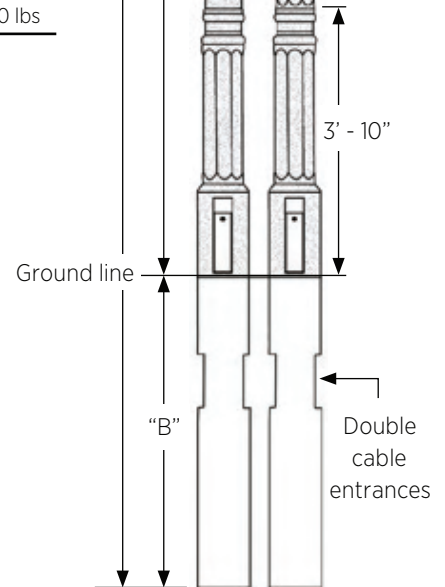
Shaft cross section detail



Slotted base plate



Elevation
See recommended "capping detail"



Specifications - Use Centrecon specifications

Colors and finishes - See Centrecon color selection guide

Luminaire mounting - See mounting options section for more information

Anti-graffiti and sealer - Optional coatings are available for added protection